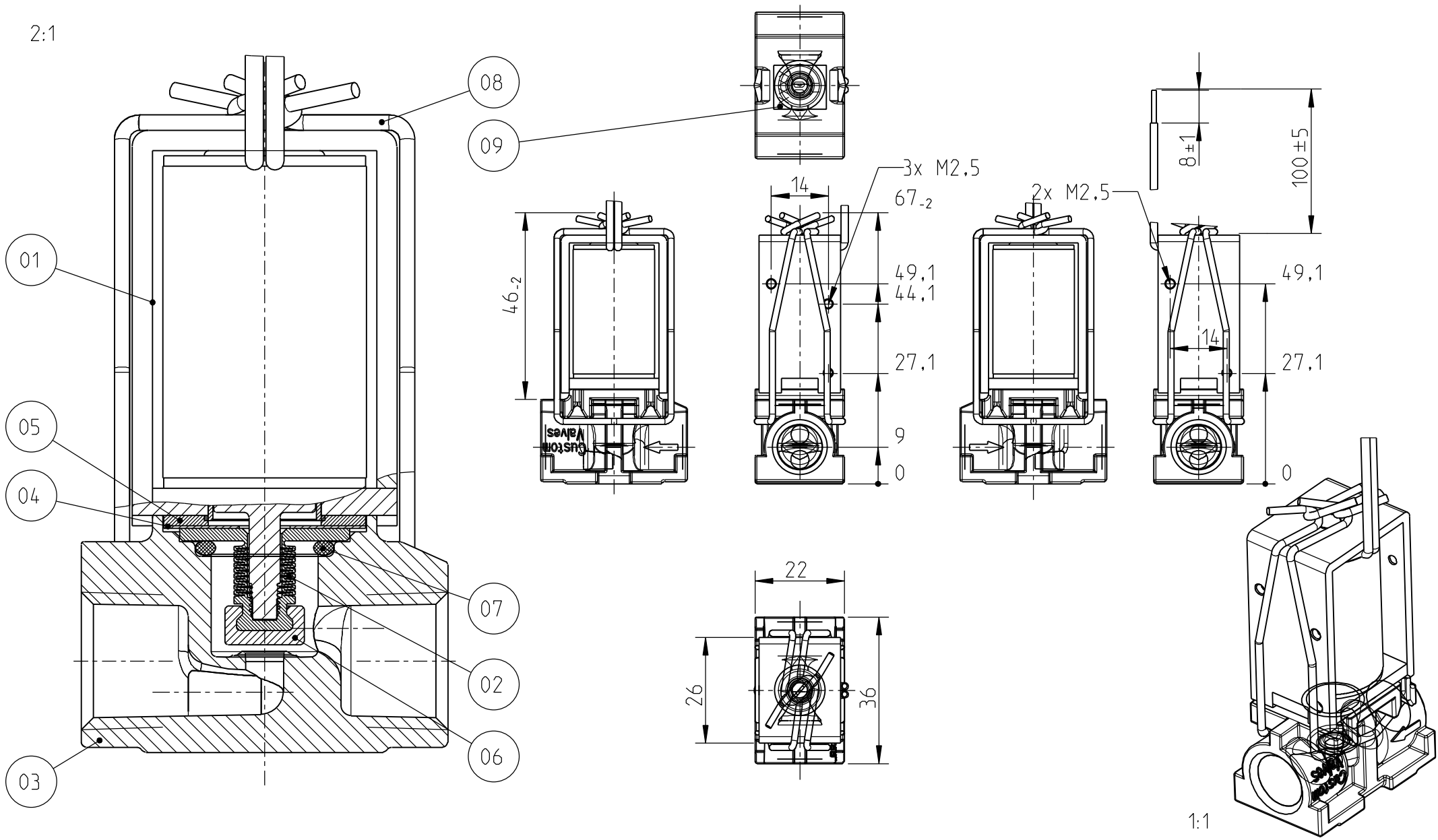


2:1



02	05-Nov-18	KTO		Op
01	02-Nov-17	KTO		Op
REV.	DATE	DRAWN BY	ECN#	CHECKED BY

TOLERANCES UNLESS OTHERWISE SPECIFIED DIMENSIONS IN MILLIMETERS ISO 2768 - mK	
PROJECTION	
SCALE 4:5	DWG SIZE: A4

GENERAL NOTES:
 (UNLESS OTHERWISE SPECIFIED)
 1. PART TO BE FREE OF BURRS
 AND SURFACE DEFECTS.

MATERIAL -
 AS NOTED ABOVE

SURFACE TREATMENT
 (DIMENSIONS APPLY AFTER
 SURFACE TREATMENT)
 NONE

CUSTOMVALVES

DESCRIPTION solenoid valve	PART NUMBER SV0021	REVISION 02
		SHEET 1 of 2